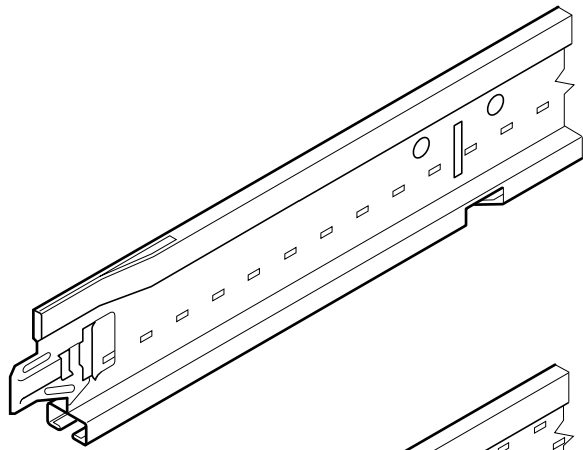
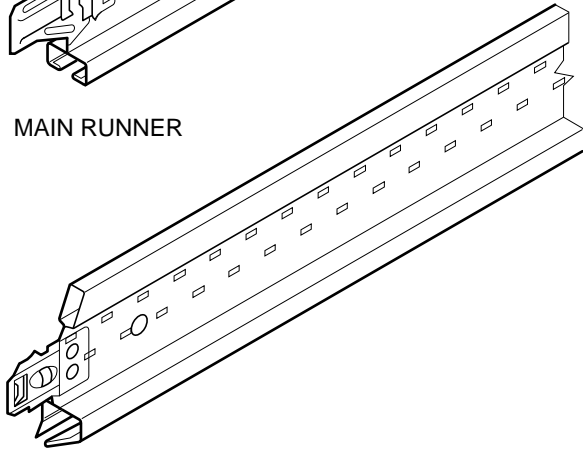
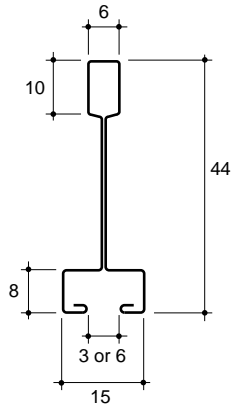


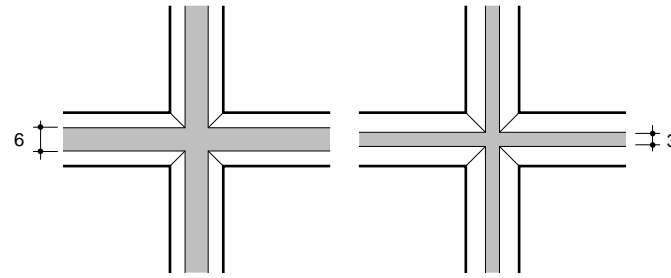
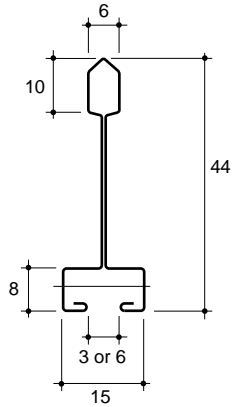
FOR ITEM NUMBERS SEE  
TRULOK SUSPENSION  
SYSTEMS BROCHURE



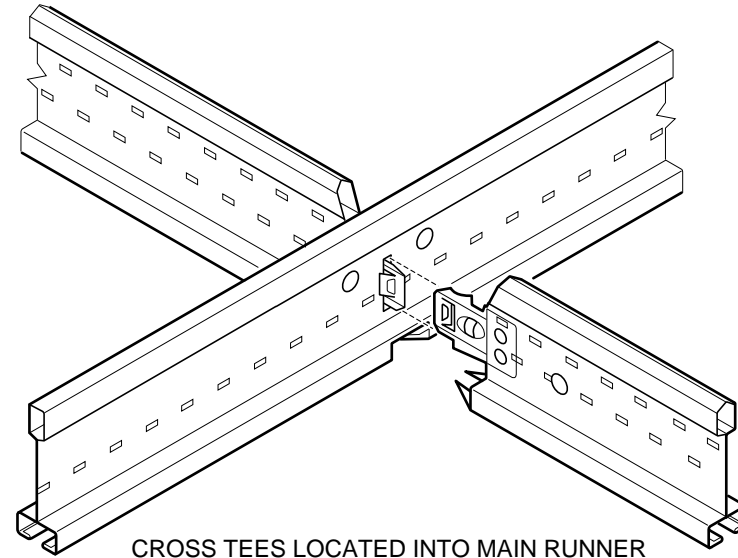
MAIN RUNNER



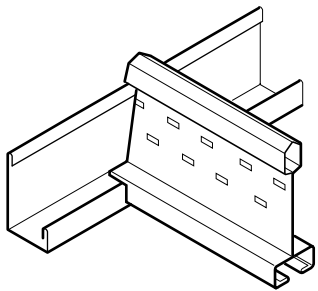
CROSS TEE



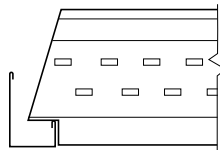
VIEW OF MITRED INTERSECTION FROM BENEATH



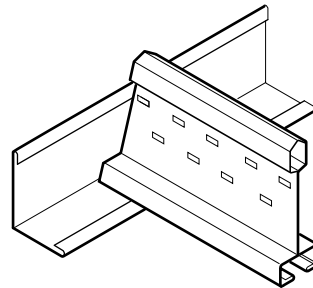
CROSS TEES LOCATED INTO MAIN RUNNER



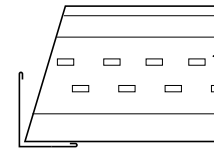
TEE CUT TO UNEQUAL  
U PROFILE AT PERIMETER



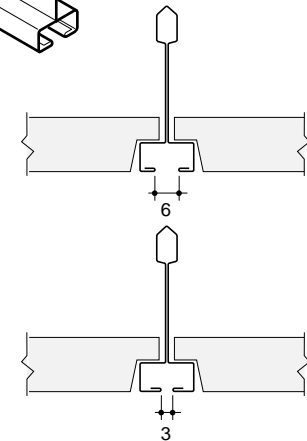
SECTION



TEE TRIMMED TO  
WALL ANGLE



SECTION



TYPICAL CROSS SECTION